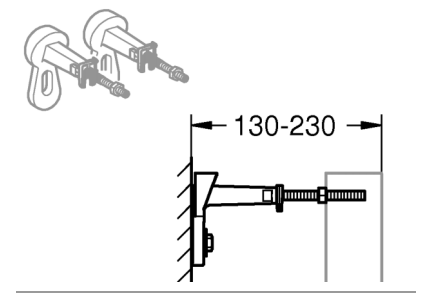
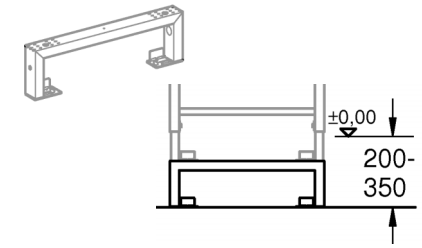


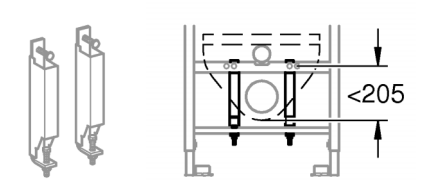
38 558



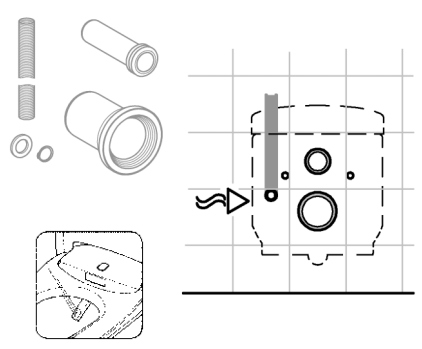
38 629



38 779



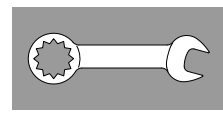
40 899



1 - 2



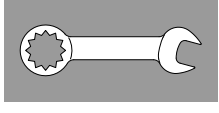
2 - 6



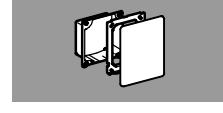
7 - 8



8 - 11

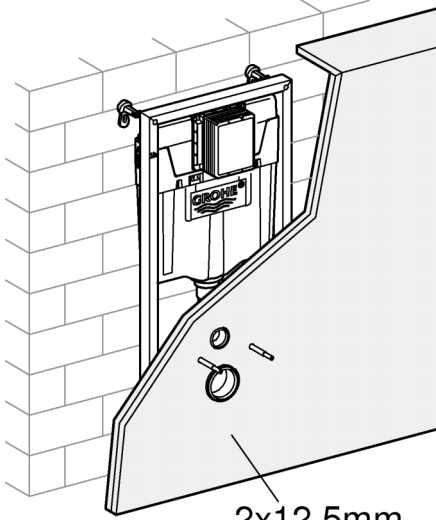


11



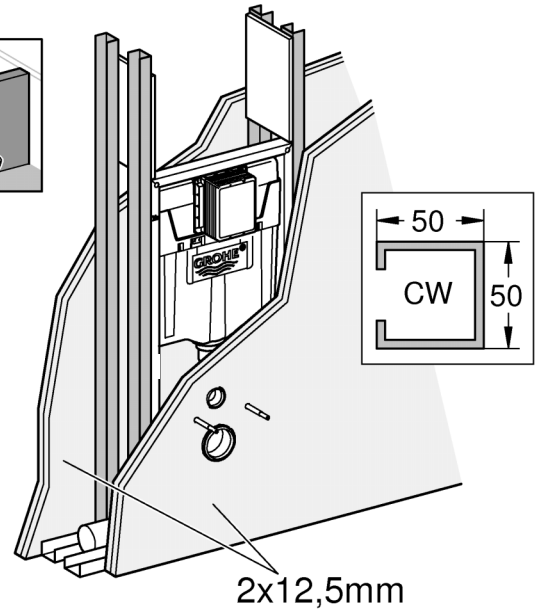
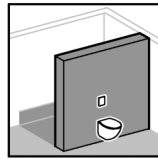


2 - 4



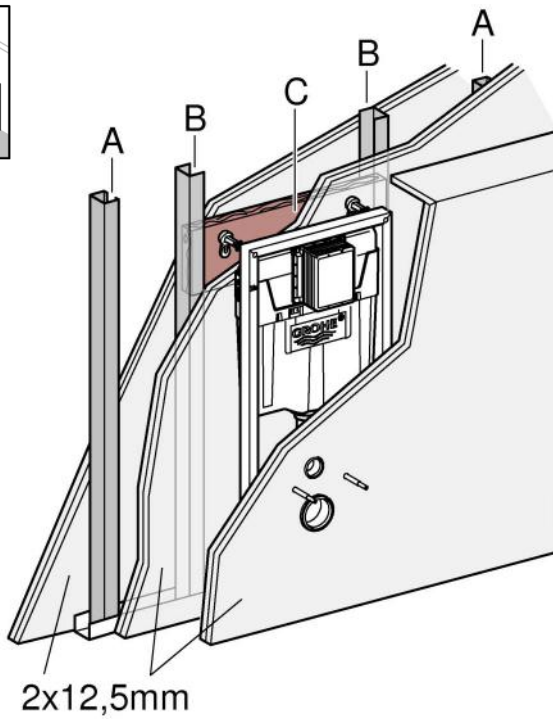
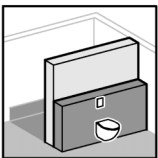
2x12,5mm

5 - 6



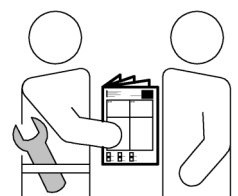
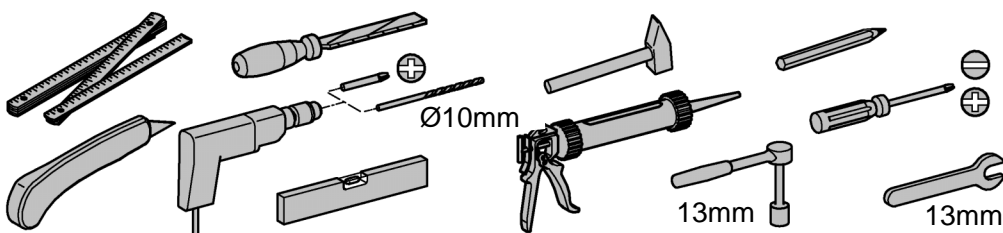
2x12,5mm

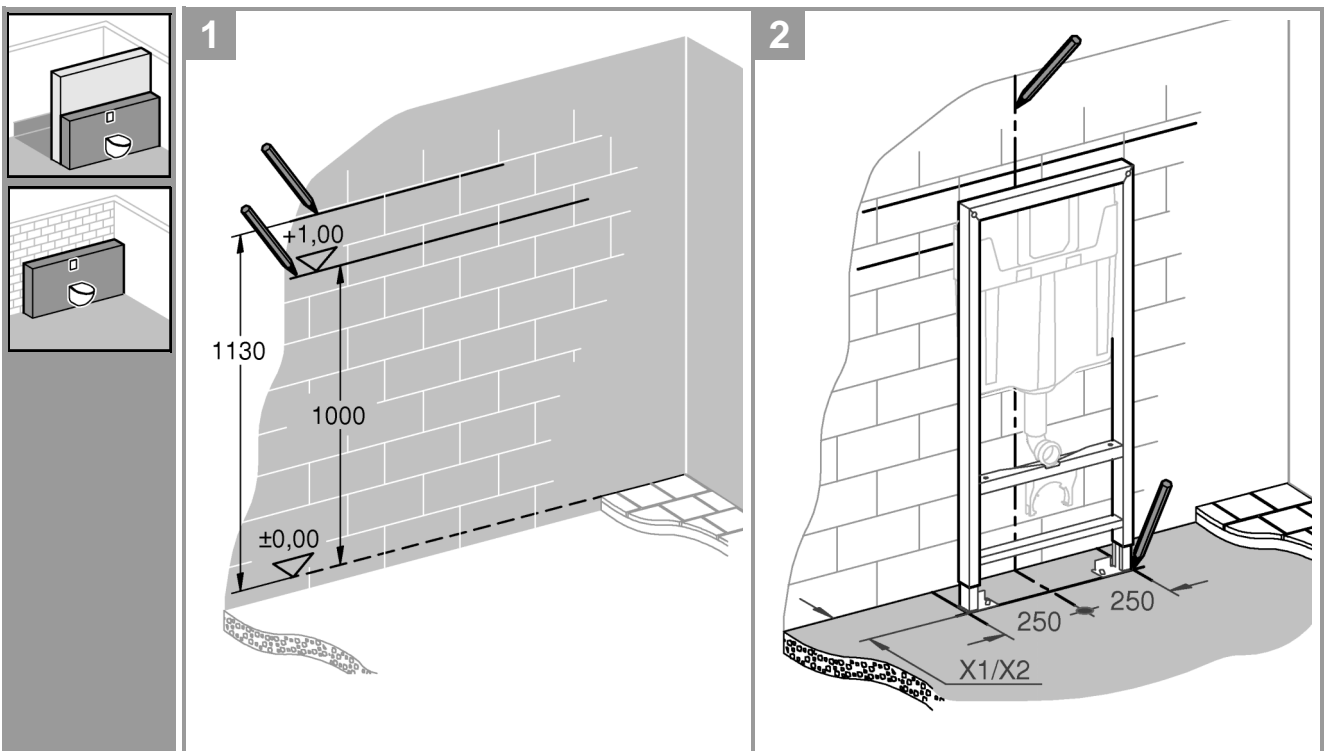
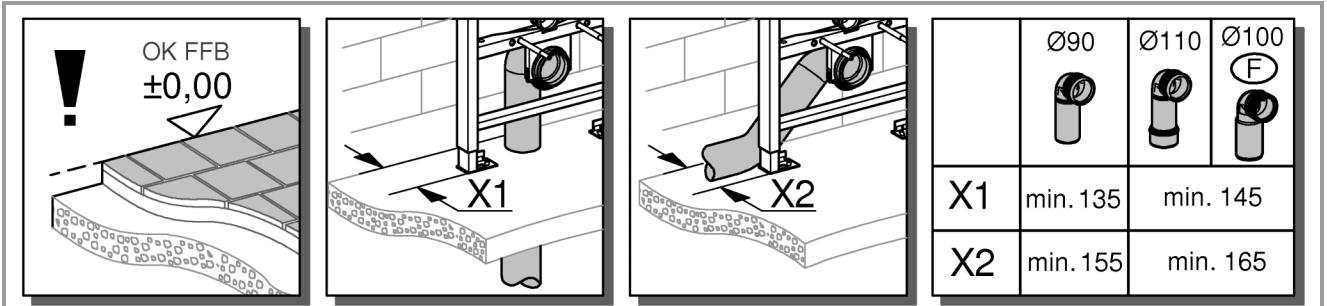
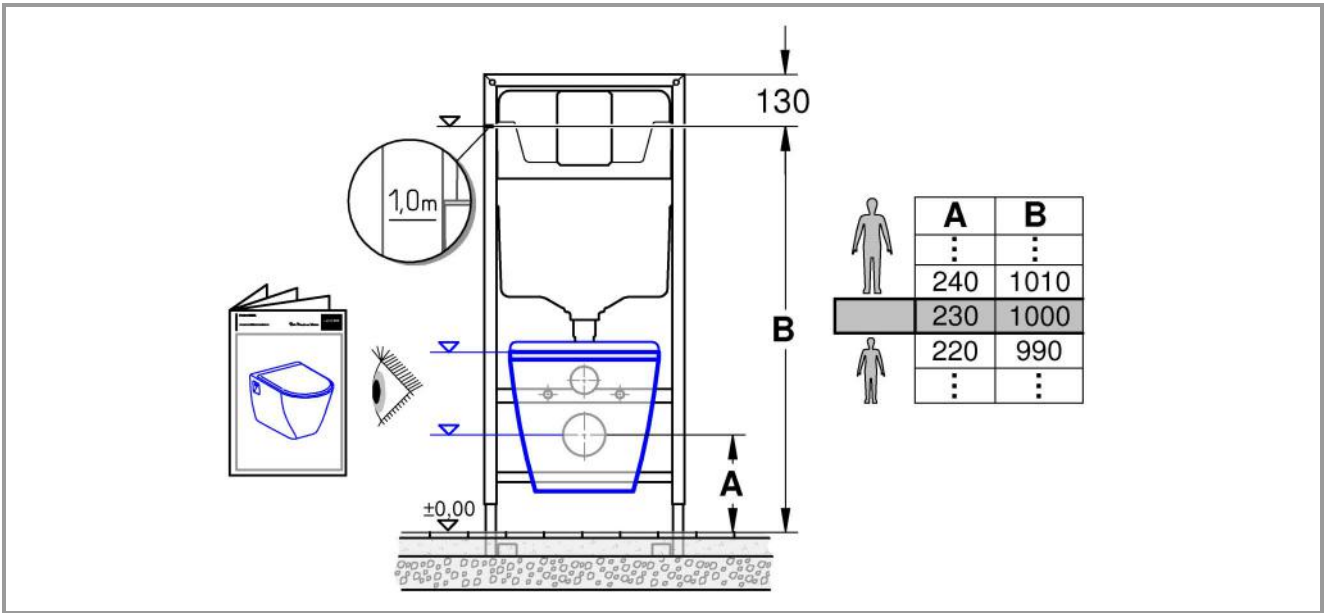
2 - 4

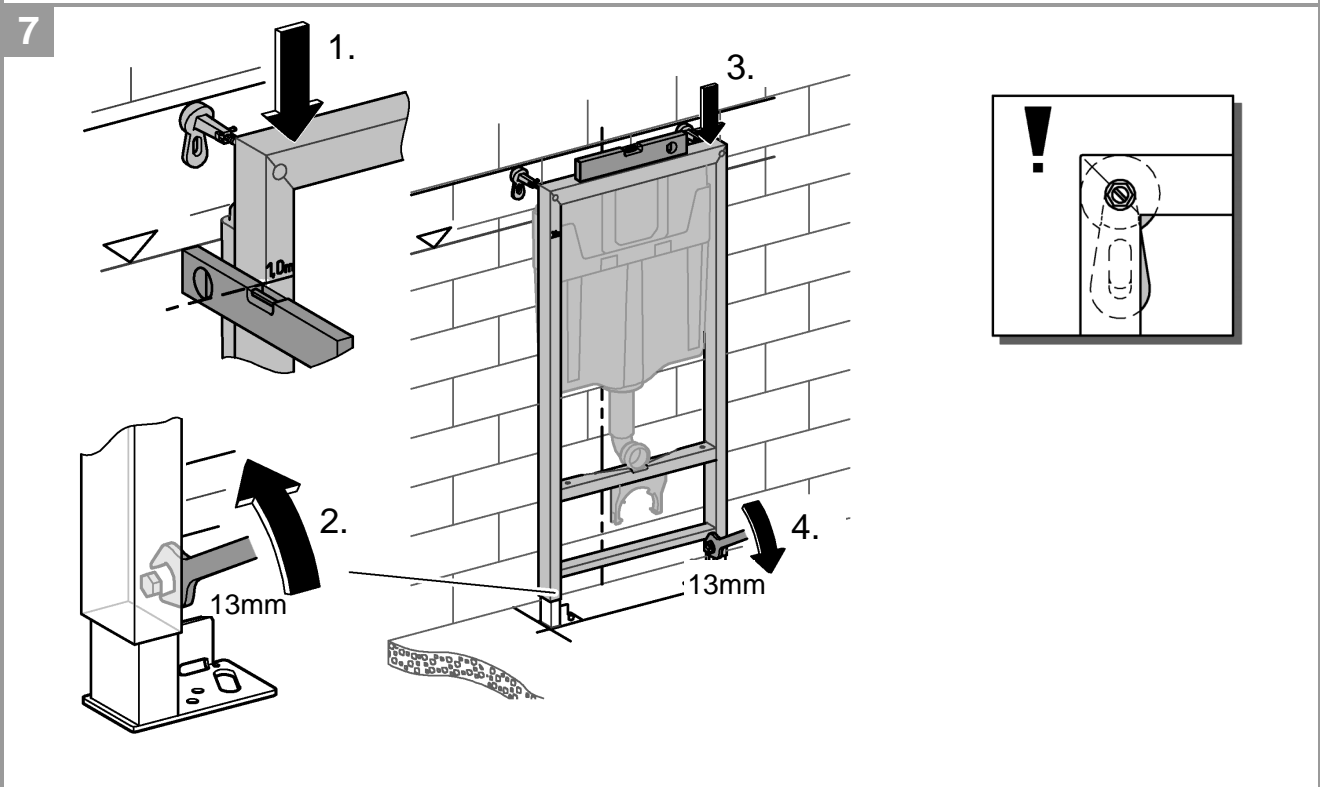
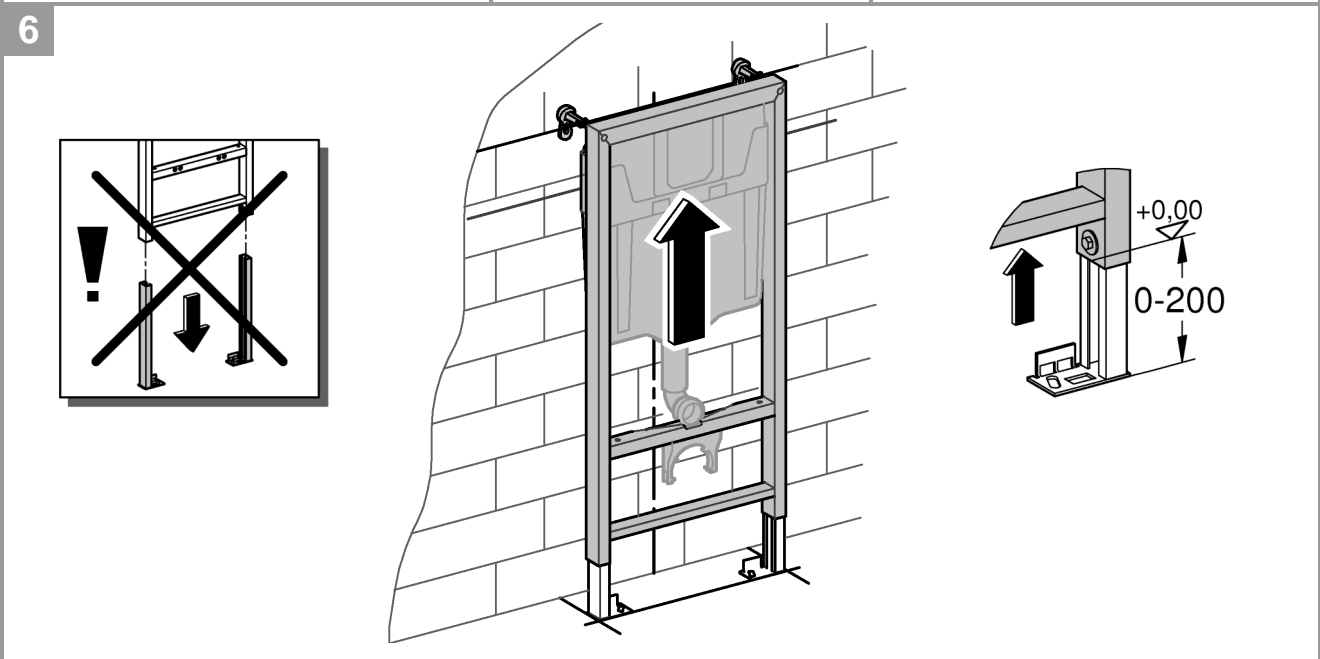
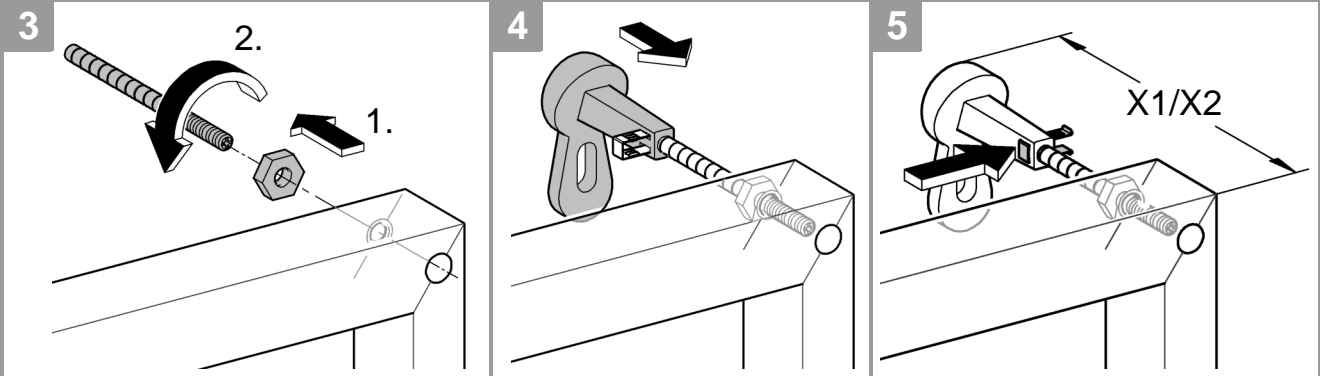


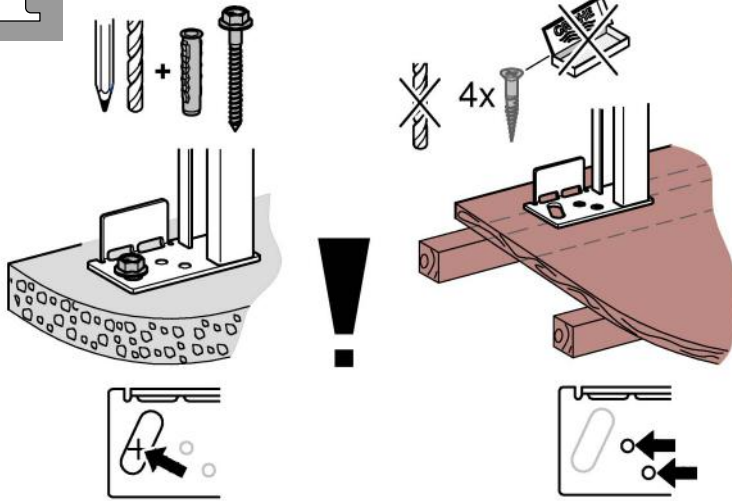
2x12,5mm

| A | B | C |
|-----------|---------|------------|
| | | |
| 50x50x0,6 | 50x40x2 | 300x620x24 |
| 75x50x0,6 | 75x40x2 | |

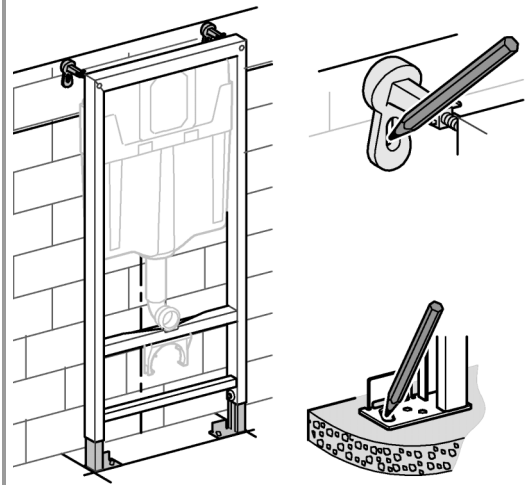




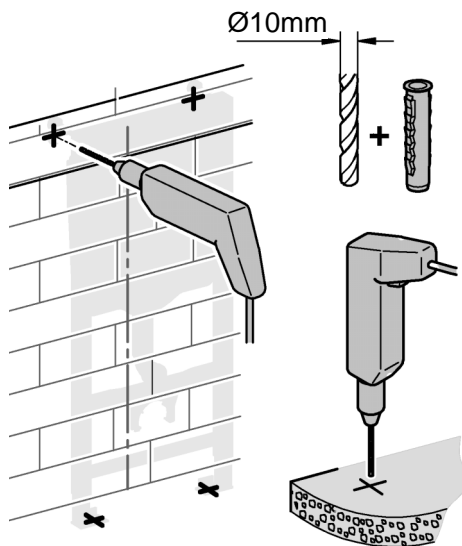




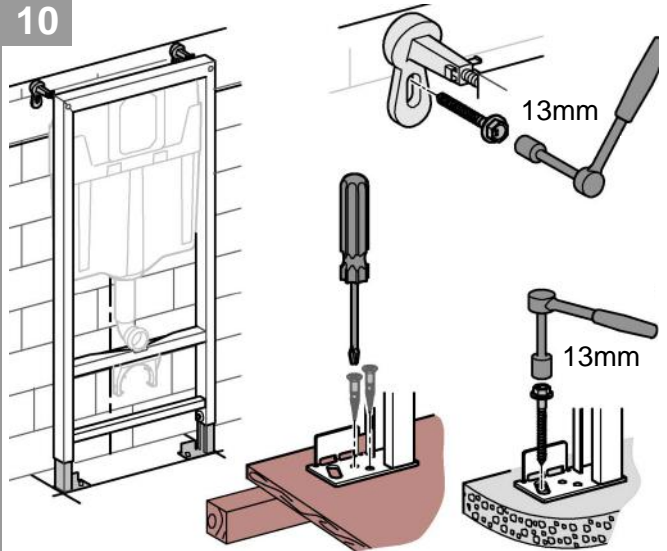
8



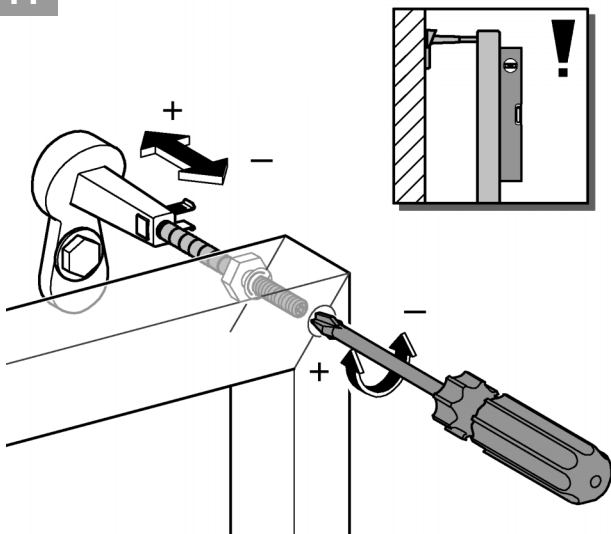
9



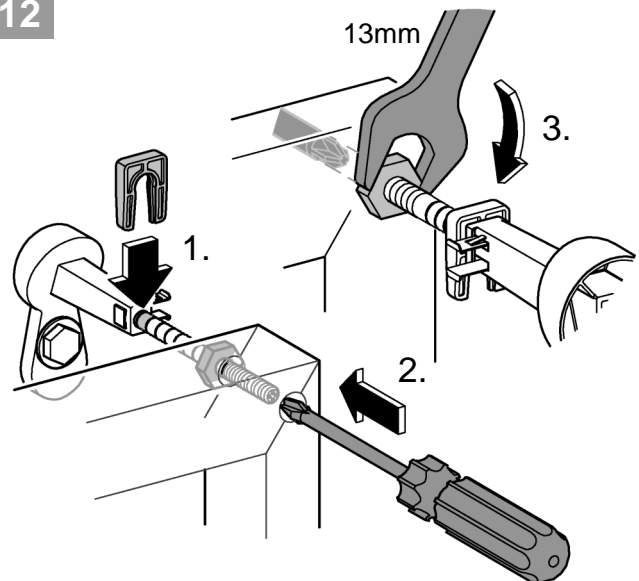
10

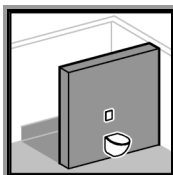


11

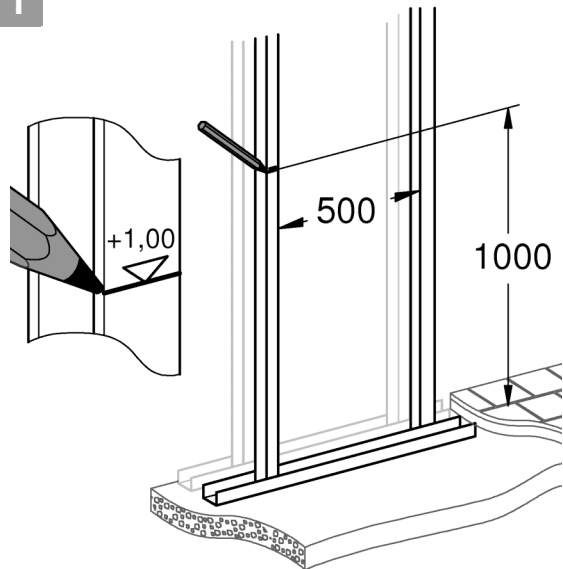


12

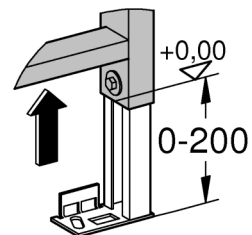
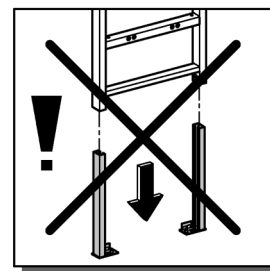
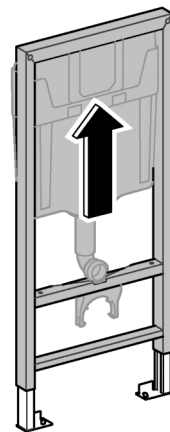




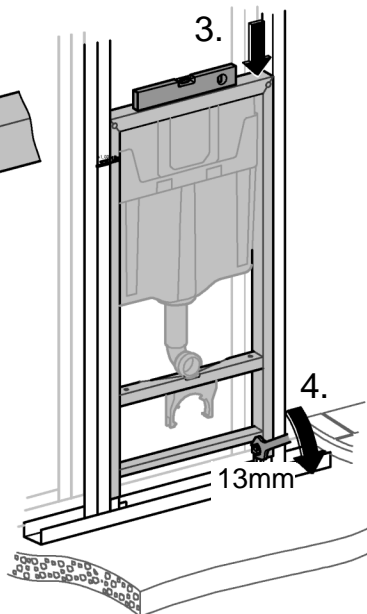
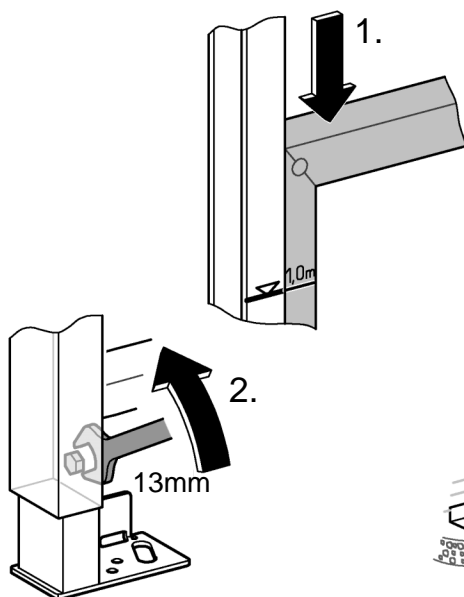
1



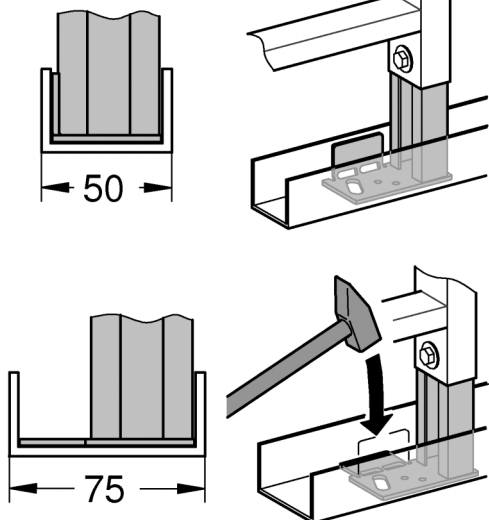
2



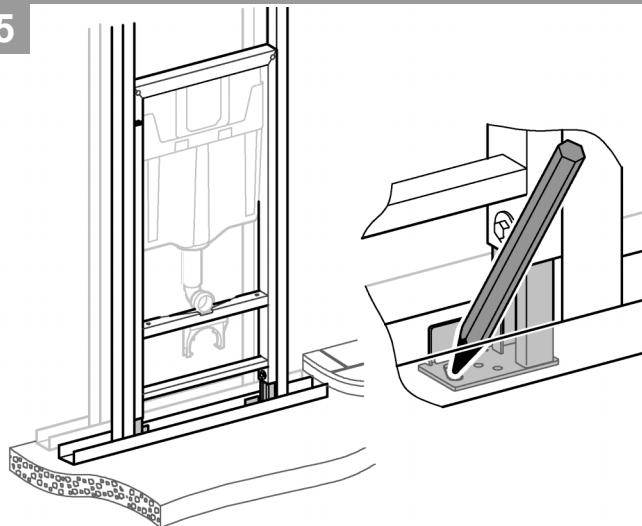
3



4

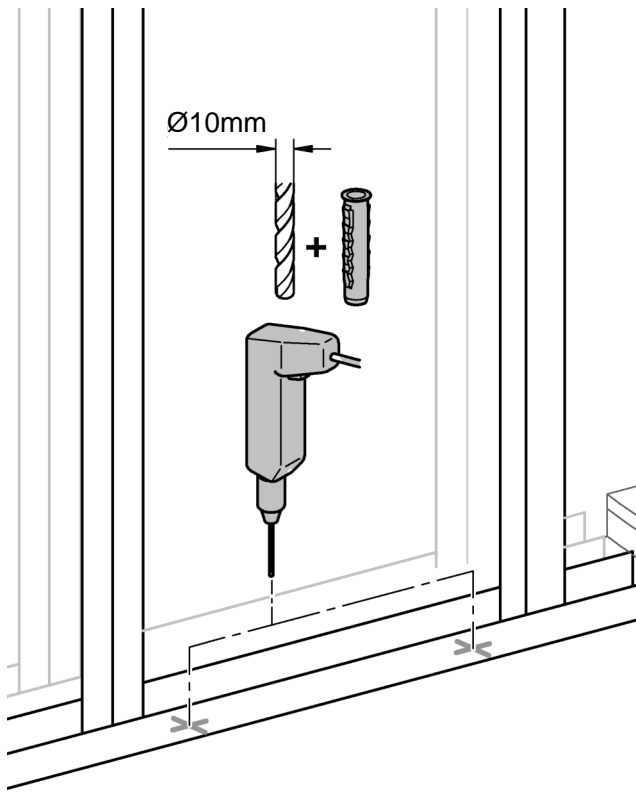


5

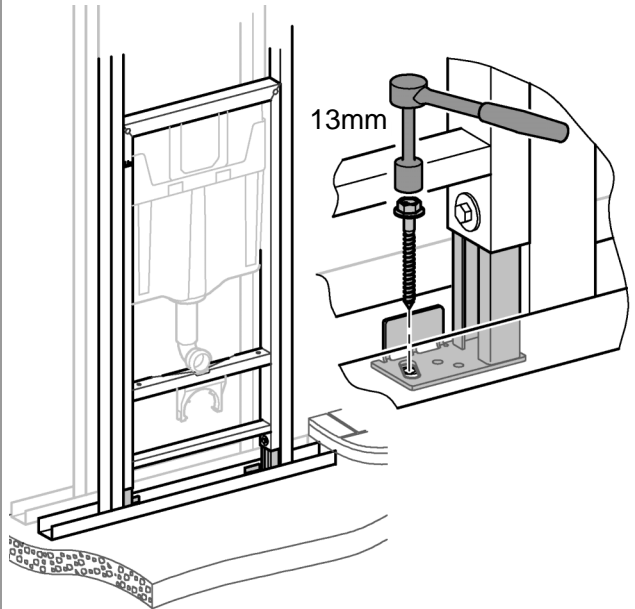




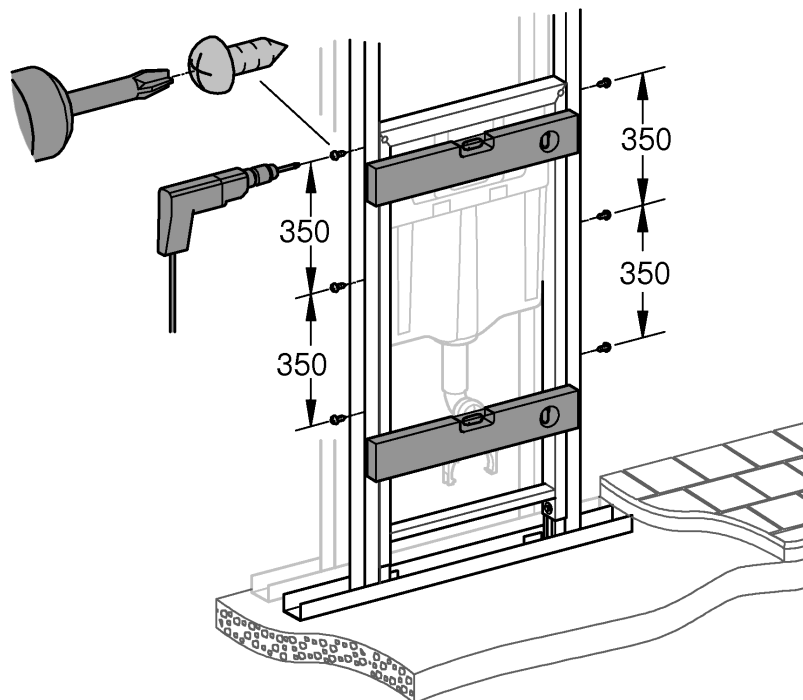
6

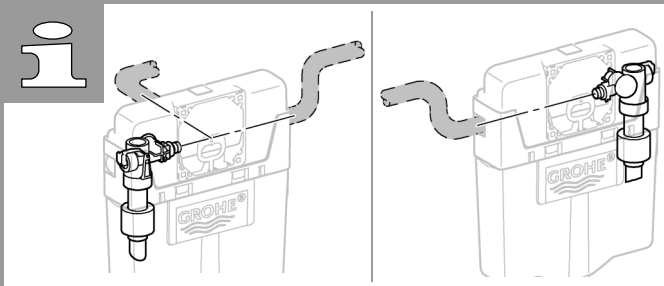


7

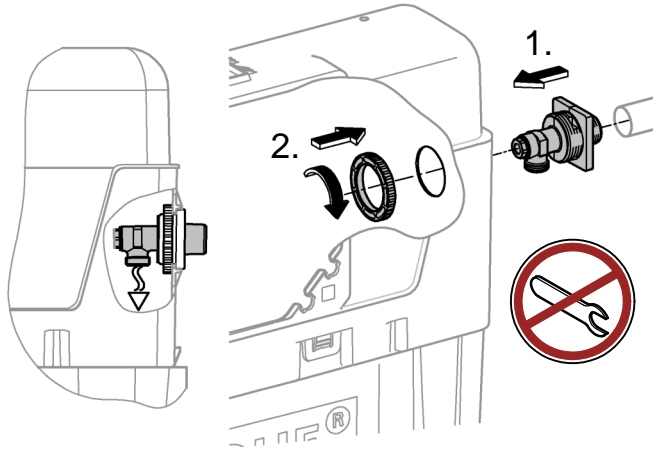


8

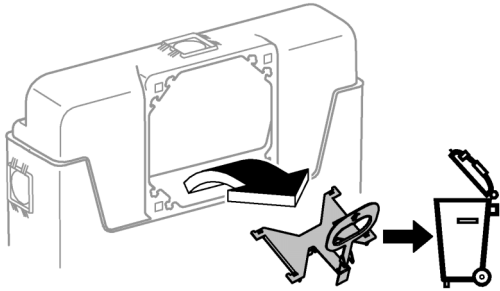




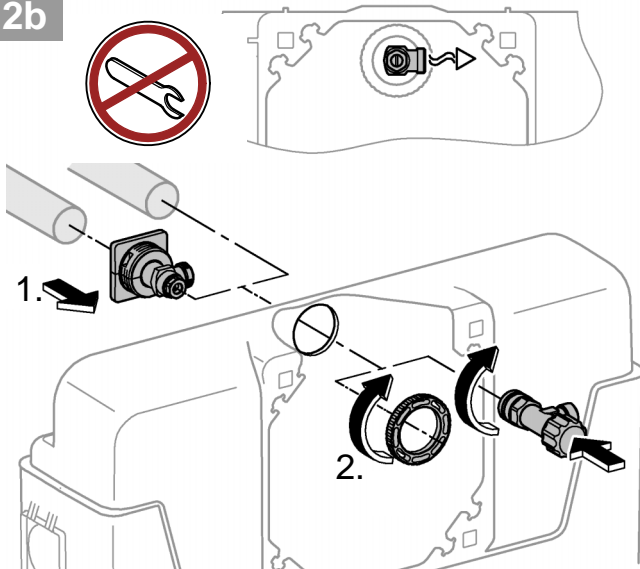
2a



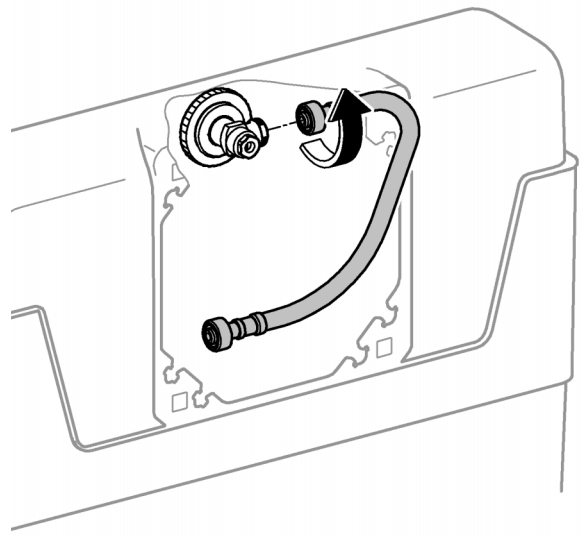
1



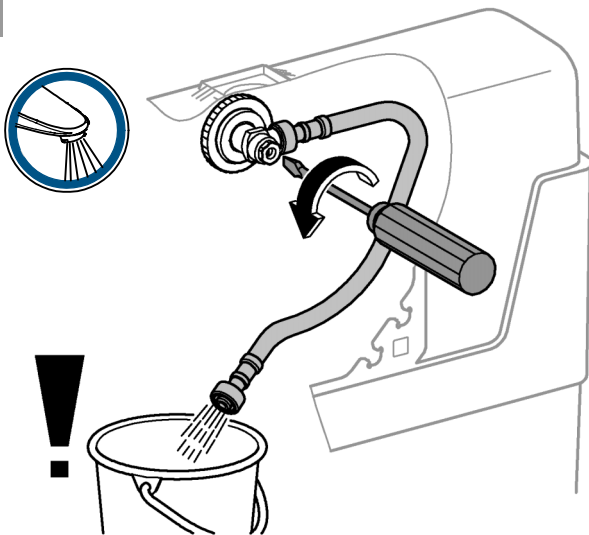
2b



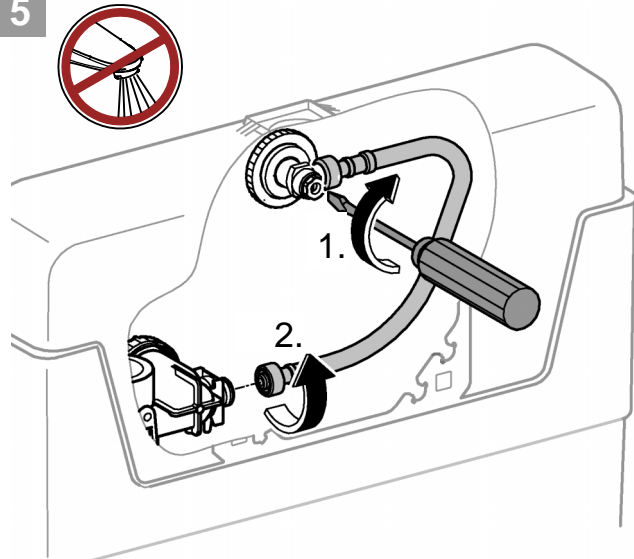
3

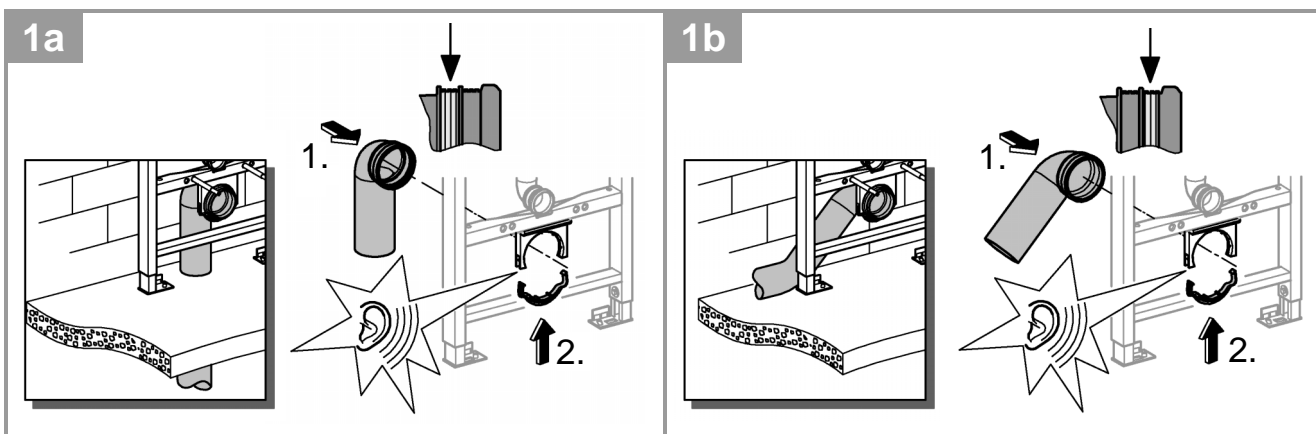
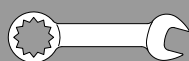
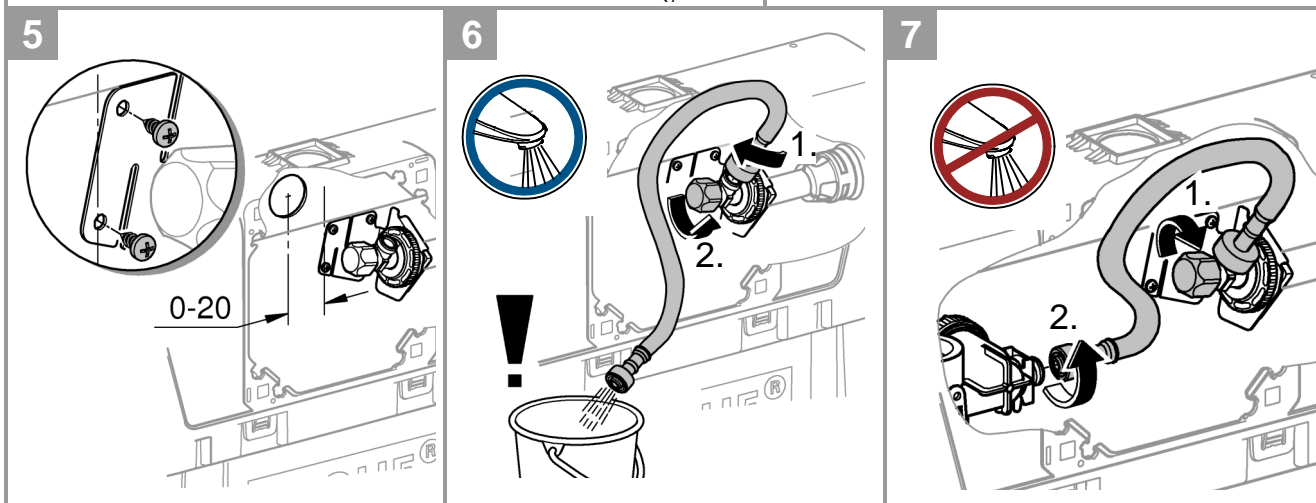
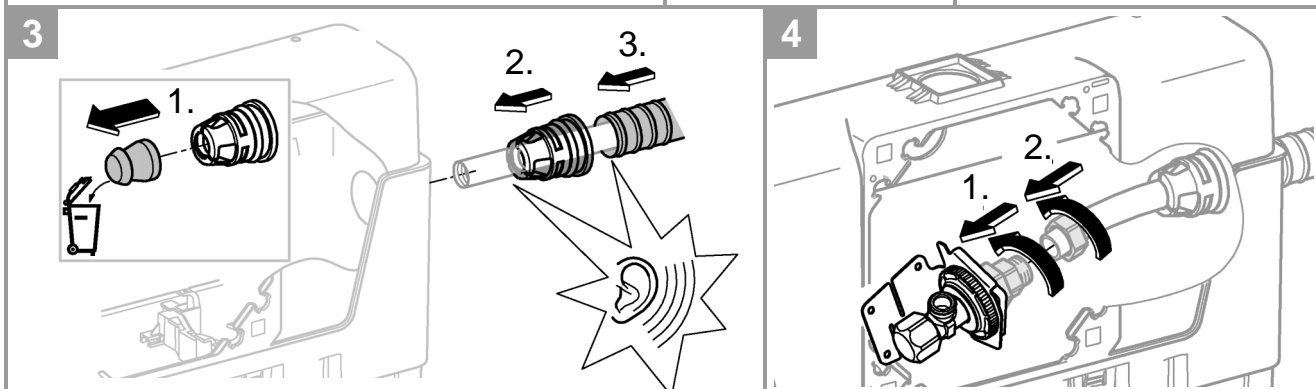
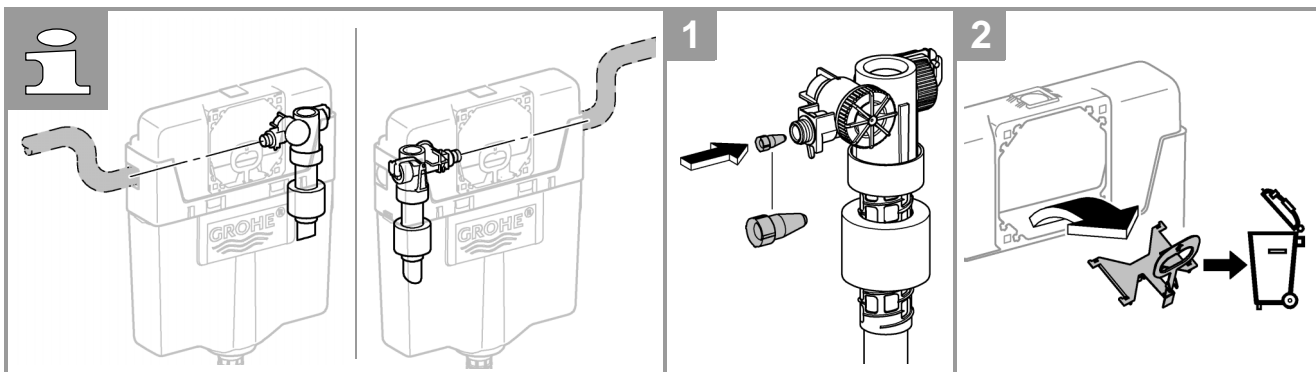


4



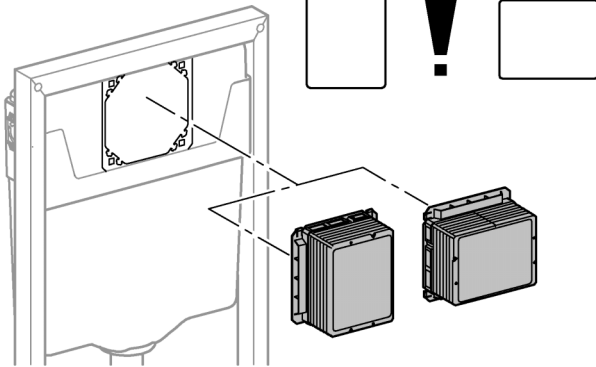
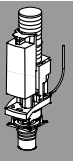
5



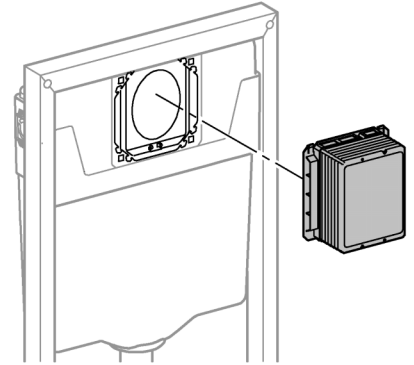
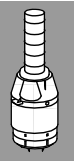




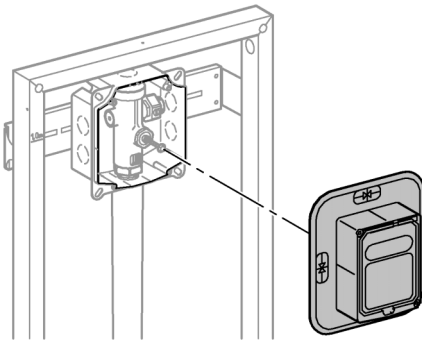
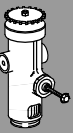
2a



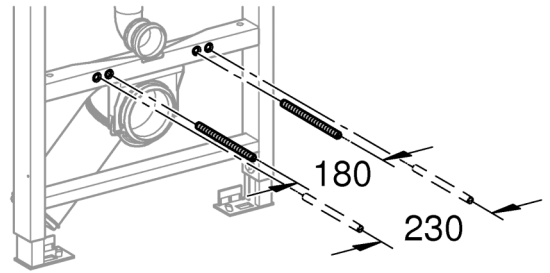
2b



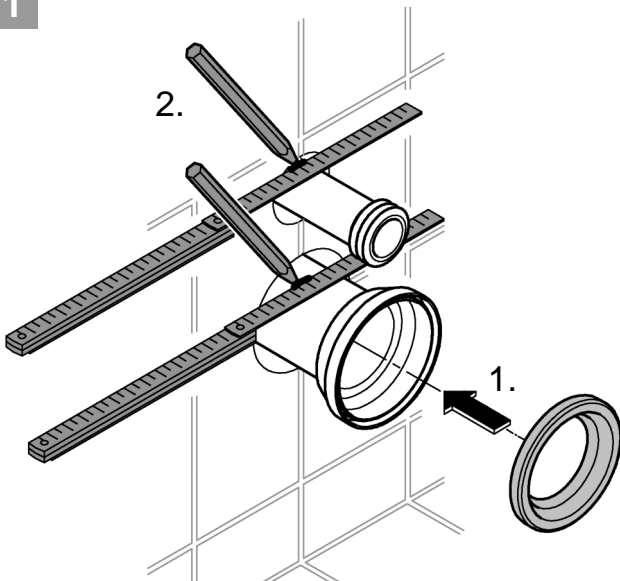
2c



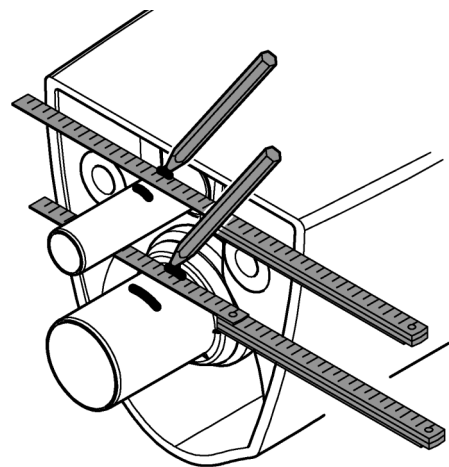
3



1

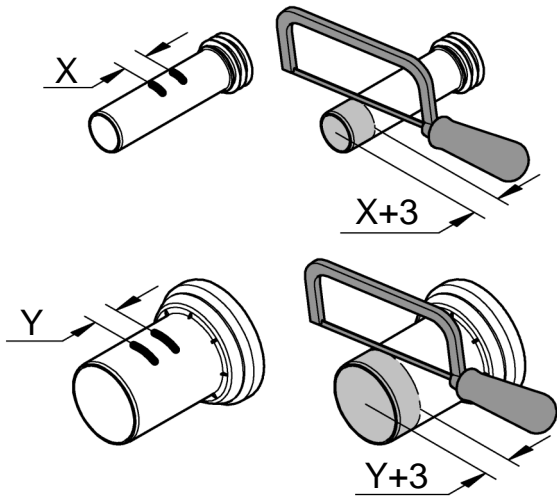


2

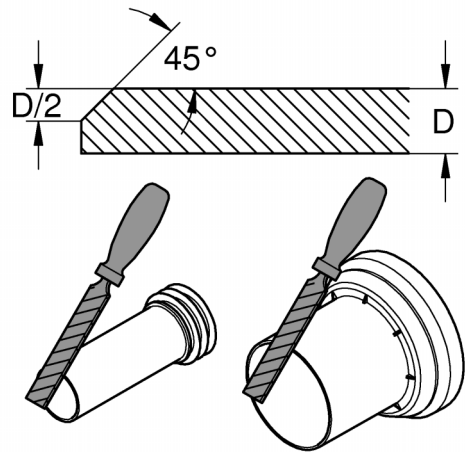




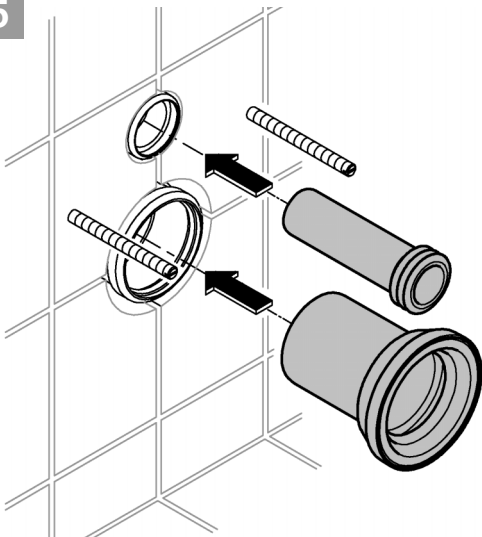
3



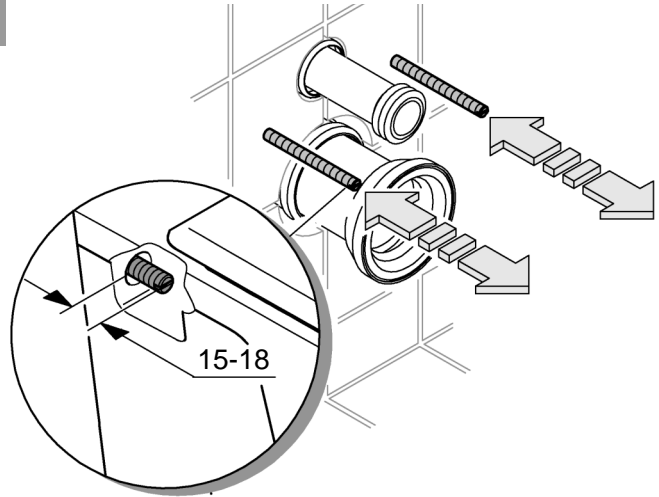
4



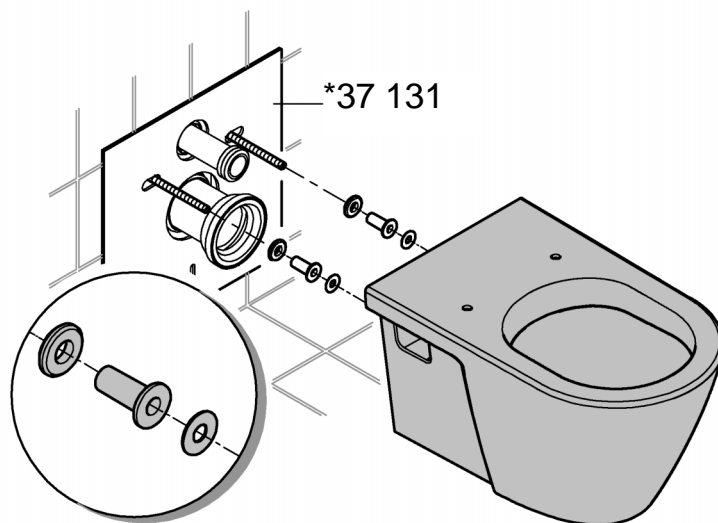
5



6

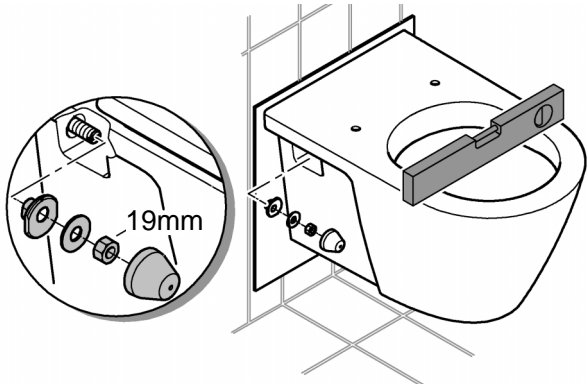


7

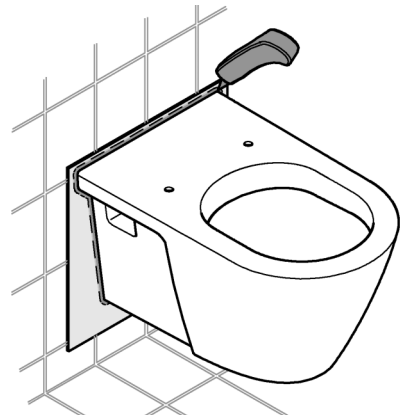




8



9



10

